



IMPORTANT

1. Always include complete heater model and serial number so that any specification change can be considered for parts shipment. It can save time and expense.
2. Specifications are subject to change without notice.
3. We reserve the right to substitute functional replacements.
4. Order by Part No.; not Heater Option Designation.

Replacement Parts

Applies to: Separated-Combustion Models SC, SCE, SSCBL, SSCDBL



Index

- A**
 Air Shutter (burner rack) 11
 Blower Air Flow Switch 5
 Alarm Bell 12
 Amplifiers 6
- B**
 Heat Exchanger Tube Baffles 10
 Bearing Mounting 30
 Bearings 28
 Belt 20, 21, 22, 24, 25
 Motor Mounting Bolts 30
Burner Rack and Components 10
- C**
 Blower Cabinet Parts 27
 Interior Cabinet Parts 9
 Cabinet Parts 26, 28
 Exhaust Cap 3
 Inlet Air Cap 3
 Capacitor 9
 Carryover 10
 Carryover Regulator 11
 Combustion Air Pressure Switch 5
 Concentric Adapter Assy 3
 Condensate Drain Kit 26
 Motor Contactor 6
 Mixed Air Controller 32
 Outside Air Controller 32
- D**
 Damper Motor 31
 Damper Rod 31
 Dampers and Controls 31
 Date of Manufacture 2
 Date Series was Introduced or Re-certified 3
 DDC (4-20 ma) interface module 32
 Disconnect Switch 7
 Drive Options and Components 20
 Ductstat 5
 Ductstat Sensor 5
- E**
 Electrical Components 4
 Screened Exhaust Cap 3
- F**
 Rubber Feet and Hardware (blower motor) 28

- Filters 27, 30
 Firestat 5
 Flue Collection Box 9
 Freezestat 5
 Frequency Drives 17
 Fuse 6
 Fuseholder 6
- G**
 Grommet 26
 Inlet Guard 3
- H**
 Hand Quadrant 32
Heat Exchanger 9
 Heat Exchanger Directional Air Baffles 9
- I**
Ignition Controllers 5
- L**
 Door Latch Kit 29
 Light 8
Reverse Flow Limit 6
Limit Control 4
 Damper Linkage Parts 32
 Louvers 26
- M**
 Special Manifold Components 12
Manifold 11
 Blower Motor 13, 14, 15, 16, 17, 18, 19, 20
 Damper Motor 31
 Gear Motor 9
 Motor Adjustment Bracket 28
 Motor Support 28, 29
 Mounting Support 26
- O**
 Burner Orifices 10
 Convenience Outlet 6
 Overload 14, 16
 Overloads 17
- P**
 Paint 26
 Replacement Parts Tag 3
Pilots 12
Pressure switch 5
 Low Gas Pressure Switch 12
 Pressure Null Switch 32
 Dirty Filter Pressure Switch 7
 High Gas Pressure Switch 6, 12

- Low Gas Pressure Switch 6
 Pulley 20, 21, 22, 24, 25
- R**
 Rating Plate 2
 2-Speed Motor Speed Selector Relay 6
 Relay 4, 9, 12
 Remote Console 7
- S**
 Discharge Sensor for Modulating Gas 6
 Air Flow Switch Sensor 30
 Serial Number 2
 Blower Shaft 28
 Signal Conditioner 6
 Silicone Sealant 3
 Starter 14
 Holding Coils for IEC Starters 17
 Starters 13, 14, 15, 16, 17, 18, 19, 20
 Summer/Winter Switch 5
 Toggle Switches 7
 Auxiliary End Switch 32
 Gas Pressure Switch 6
 Switch 8
- T**
 Temperature Control 6
 Temperature Selectors 6
 Terminal Block 4
 Thermostats 7
Transformer 4, 7, 13
- V**
 Fluid Power Valve 13
 Gas Valve 10
 Manual Gas Valves 11
 Variable Frequency Drives 13
 Venter and Flue Duct Parts 8
Venter Motor and Wheel 8
 Vent Limiter 6
 Vent Terminal/Combustion Air Intake Components 3
 Vent Valve 13

Model SC Duct Furnace



Model SCE Blower/Furnace Packaged System

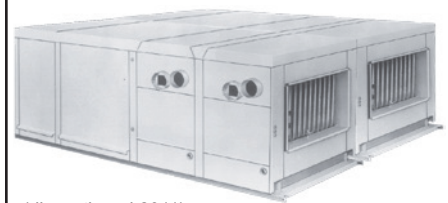


(discontinued 2011)

Model SSCBL Packaged System with "BL" Type Blower Cabinet and 1, 2, or 3 Furnace Sections



Model SSCDBL Packaged System with two "BL" Type Blower Cabinets and 2, 4, or 6 Furnace Sections



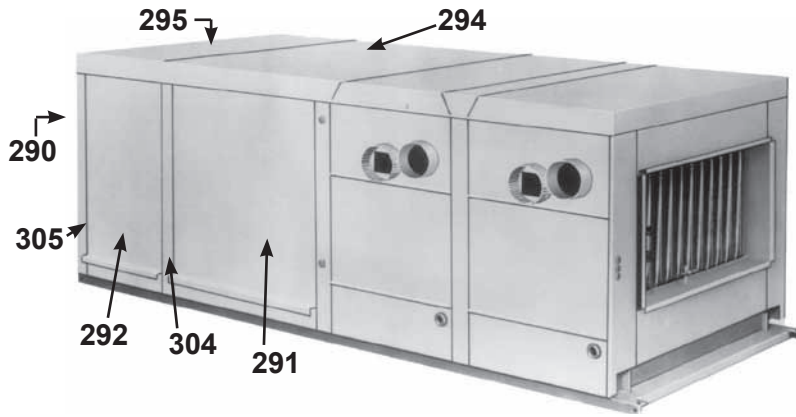
(discontinued 2011)

Additional References:

(See your factory distributor for the following catalogs and instruction manuals)

Subject	Form
Service - Replacement Gas Valves, Ignition Controllers & Maxitrol Parts.....	P-VALVES
Service - Converting to Other Gases.....	P-GC
Service - Replacement Parts for Optional Evaporative Cooling Module.....	P-REC
Installation/Operation - Model Series SC, Duct Furnace.....	I-SC
Installation/Operation - Model Series SCE Packaged Duct Furnace/Blower.....	I-SCE
Installation/Operation - Model Series SSCBL and SSCDBL Packaged Systems.....	I-SSCBL
Installation/Operation - Vent Terminal/Combustion Air Packages.....	I-OPT-VC
Installation/Operation - Optional Evaporative Cooling Modules.....	I-OPT-EC

Model SSCBL Blower Cabinet and Blower Parts



Cross-Reference of End and Bottom Panel Options to Cabinet Openings

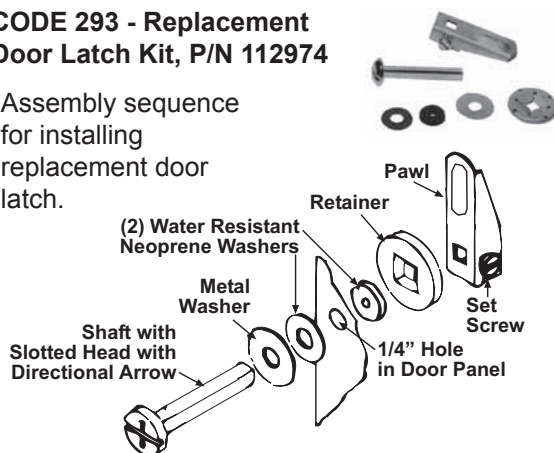
Cabinet Option	End Panel		Btm Panel	
	Solid	100% Open	Solid	100% Open
Std		X	X	
AR-4	X			X
AR-8	X		X	
AR-9	X		X	
AR-11		X		X
AR-12		X		X
AR-13		X		X
AR-14		X		X
AR-15		X		X
AR-16		X		X
AR-17		X		X
AR-18		X		X
AR-24		X		X

Code	Description	500/600	700/1050	400/800/ 1200
289	Cabinet Btm - Rt Half - solid (no opening)	106242	106243	106244
	Cabinet Btm - Lt Half - solid (no opening)	106238	106239	106240
	Cabinet Btm - Rt Half - return air opening	105606	105607	106608
290	Cabinet Btm - Lt Half - return air opening	104365	104366	104367
	End Panel Assembly - solid (no opening)	103620	103621	103622
	End Panel Assembly - solid (no opening) with double-wall construction (Opt AY3)	105550	105551	103555
	End Panel Assembly - 100% opening	103641	103642	103643
291	End Panel Assembly - 100% opening with double-wall construction (Opt AY3)	105544	105545	105546
	Blower Door - standard		(2)100347	
292	Blower Door - with double-wall construction (Opt AY3)		(2)104115	
	Filter Cabinet Door Assembly		(2)106276	
293	Filter Cabinet Door Assembly - with double-wall construction (Opt AY3)		(2)107350	
	Replacement Door Latch		112974	
294	Blower Cabinet Front Top Section Assy	106280	106281	106282
295	Blower Cabinet Rear Top Section Assy	106286	106287	106288
296	Blower Cabinet Top Insulation Retainer	107350	107351	107352
297	Filter Cabinet Top Insulation Retainer	107354	107355	107356
298	BL Cabinet Leg #1, Left		105603	
299	BL Cabinet Leg #2, Right		105604	
300	Corner Post		(2)114761	
301	Cabinet Leg Cap Left		100069	
302	Cabinet Leg Cap Right		100071	
303	Cabinet Intermediate Post		(2)114762	
304	Cabinet Intermediate Post Cap		(2)104372	
305	Corner Post Cap		(2)100072	
306	Cabinet Top Front Panel	105610	105611	105612
307	Cabinet Bottom Front Panel	105614	105615	105616
308	Cabinet Vertical Blower Support Left		106299	
309	Cabinet Vertical Blower Support Right		106943	
310	Cabinet Horizontal Blower Support		(2)31576	
311	Cabinet and Panel Support	100078	100079	100080
312	Cabinet Top Support	105600	105601	105602
313	Bottom Filter Rack Assy - 1 & 2" filters	114711	114712	114713
314	Rear Filter Rack Assy - 1 & 2" filters	(2) 114707	(2) 114708	(2) 114709
315	Front Filter Rack Assy - 1 & 2" filters	(2) 114695	(2) 114696	(2) 114697
316	Top Filter Rack Assy - 1 & 2" filters	114719	114720	114721
317	Top Door Seal		(2)95487	
318	Blower Cabinet Adapter Back Assembly	163833	163834	148429
319	Motor Mounting Plate Assembly		106295	
320	Motor Mounting Bolts		See illustration, page 26.	

Code	Description	500/600	700/1050	400/800/ 1200
321	Motor Mounting Support Assembly (support rails for motor mounting plate, Code 319)	< 15HP motor	(2)106698	
		<15HP w/ (Opt PC12) vibration isolation	149008 (qty changes to one because assembly includes both rails)	
322A	Motor Adjustment Angle (w/ Code 322B & 322C allows motor to be moved for drive adjustment)	< 15HP motor	105633	
		<15HP w/ (Opt PC12) vibration isolation	149010	
322B	Motor Adjustment Bolt 3/8 - 16 x 7" lg	15 & 20 HP	149010	
			106275 (used with 322A & C)	
322C	Adjustment Bolt Hex Nut 3/8 - 16		1438 (used with 322A & B)	
323	Blower (Housing and Wheel) Lau 15 x 9, 1-3/16	(2)		
		106296	--	--
324	Blower (Housing and Wheel) Lau 15 x 11, 1-3/16	--	(2)14469	
325	Blower Shaft 1-3/16 x 37" long	106297	--	--
	Blower Shaft 1-3/16 x 42-1/2" long	--	106298	--
	Blower Shaft 1-3/16 x 48" long	--	--	13589
326	Blower Bearing, 1-3/16", less than 5HP		(2) 14474, Fafair #E8317	
327	Vertical Blower Support - Right		106943	
328	Vertical Blower Support - Left		106299	
329	Bearing Bracket, 1-3/16		(2) 24233, Lau #014431-02	
330	Heavy Duty Blower Right Lau 15 x 9 (15-20HP motors)	106935	--	--
331	Heavy Duty Blower Left Lau 15 x 9 (15-20HP motors)	106936	--	--
332	Heavy Duty Blower Right Lau 15 x 11 (15-20HP motors)	--	106937	
333	Heavy Duty Blower Left Lau 15 x 11 (15-20HP motors)	--	106938	106938
334	Blower Shaft Key (used w/heavy duty blowers)		(4) 134638	
335	Blower Shaft Heavy Duty Blower 1-7/16 x 42" long	106939	--	--
		--	106940	--
336	Blower Shaft Heavy Duty Blower 1-7/16 x 53" long	--	--	106941
337	Pillow Block Bearing, 1-7/16 Bore, Dodge P2BS2107R		(2) 170108	
			(replaces P/N 106942)	
338	Class II Blower Support - Right Side		149520	
339	Class II Blower Support - Left Side		149521	
339	Air Flow Switch Pitot Sense Probe (part of Option BW1)		111733	

CODE 293 - Replacement Door Latch Kit, P/N 112974

Assembly sequence for installing replacement door latch.



Parts for Motor Support, Mounting, and Adjusting

